



2.1 cu. ft. Smart Over-the-Range Microwave Oven with ExtendaVent™

- 2.1 cu. ft. Oven Capacity
- EasyClean® Interior
- SmoothTouch® Glass Controls
- 1,050 Watts
- Sensor Cooking
- 10 Power Levels
- 6 Auto Cook Options
- Slide-out ExtendaVent™
- 400 CFM Exhaust Fan
- QuietPower™ Ventilation System
- Wi-Fi Connect (works with ThinQ® Technology)
- Scan-to-Cook
- LG Smart Range Connectivity



COLOR AVAILABILITY

MVEL2125X – PrintProof™ Stainless Steel

COOKING FEATURES

Oven Capacity	2.1 cu. ft.
Microwave Power Output	1,050 W
Convection Power Output	N/A
EasyClean® Interior	Yes
Sensor Cook Options	19: Sensor Cook(7), Sensor Reheat(5), Popcorn(1), Potato(1), Vegetable(4), Beverage(1)
Power Levels	10
Defrost	Auto / Time / Quick Defrost
Sensor Reheat	Yes
Auto Cook Options	6 (Defrost, Soften, Melt, Simmer, Steam Cook, Kids Meal)
Built-in Air Fry	No
Custom Settings	Yes

CONVENIENCE FEATURES

Control Type	SmoothTouch® Glass
Turntable Diameter	14.2"
Clock	Yes
Kitchen Timer	Yes
Completion Beeper	Yes
Turntable On/Off	Yes
Add 30 Seconds	Yes
Exterior Lighting	LED
Interior Lighting	LED
Child Lock	Yes

VENTING SYSTEM

ExtendaVent™ (slide-out)	Yes
Filtration	Charcoal Filter
Exhaust Grease Filters	2
Power Levels	4
Vent Grille Type	Hidden
Vent Air Flow	400 CFM
Venting Options	Roof, Wall, Room

SMART FEATURES

Wi-Fi Enabled	Yes
ThinQ® Technology	Yes
Wi-Fi Connect (works with ThinQ® Technology)	Yes
Scan-to-Cook	Yes
Smart LG Range Connectivity	Yes
ThinQ Care	No
Voice Control	Amazon Alexa, Google Assistant
SmartDiagnosis™	Yes

APPEARANCE / MATERIALS / FINISHES

WideView™ Window	Yes
Interior Color	Gray
Clock Display Color	White LED

TECHNICAL SPECS

Required Power Supply	120V, 60 Hz
Minimum Circuit Rating	15 Amp
Plug Type	3-Prong

INCLUDED ACCESSORIES

Glass Turntable

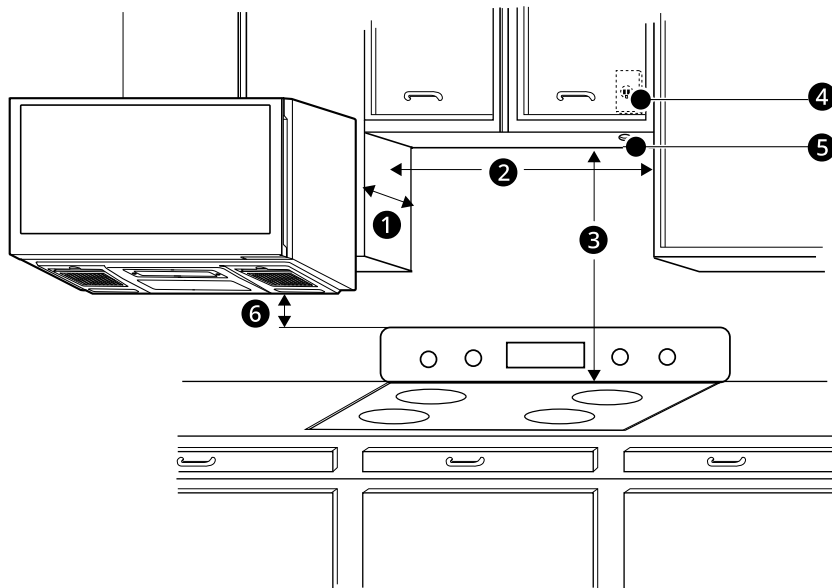
DIMENSIONS / CLEARANCES / WEIGHT

Product Dimensions (W x H x D) without handle	29 7/8" x 17 15/16" x 15 7/8"
Oven Interior Dimensions (W x H x D)	21 15/16" x 11 1/4" x 14 9/16"
Cut-out Dimensions (W x D)	30" x 13"
Minimum Distance from Cooking Surface	30"
Carton Dimensions (W x H x D)	33 9/16" x 21" x 20 1/2"
Approx. Weight (Product / Carton)	58.8 lbs. / 70.3 lbs.

LIMITED WARRANTY

Parts and Labor	1 Years
Magnetron	10 Years

DIMENSIONS / CLEARANCES



DIMENSIONS / CLEARANCES

1	Maximum 13" cabinet depth
2	Minimum 30" cabinet opening width
3	Minimum 30" clearance from bottom of cabinet to cooking surface or countertop before installation. (Use templates included with installation instructions.)
4	Grounded outlet (inside upper cabinet)
5	Power supply cord hole
6	Minimum 2": clearance from the top of the range control panel to the bottom of microwave oven (slide-out hood model)